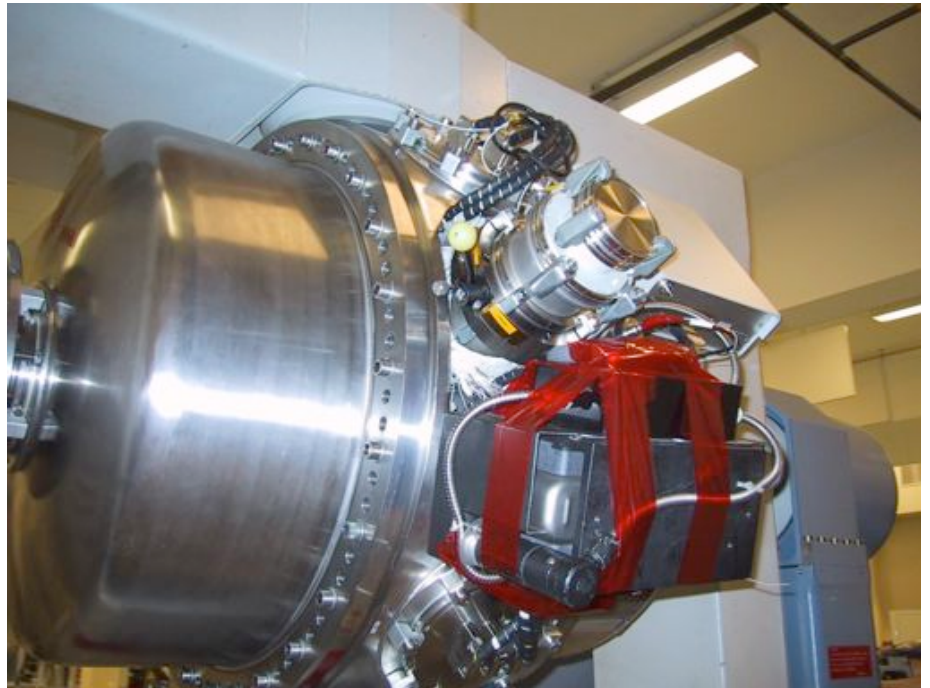


CVC SERIE

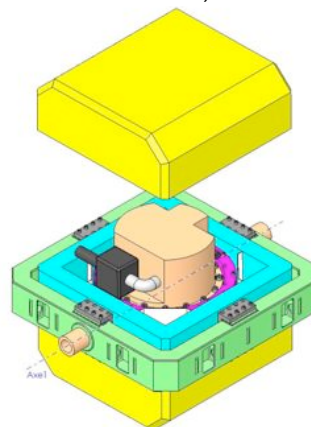
CLIMATIC AND VACUUM TEST CHAMBER

- Vacuum: 1.10^{-6} Torr
- Range: -40°C to $+90^{\circ}\text{C}$
- Gradient: 2°C/mn
- Accuracy: $\pm 1^{\circ}\text{C}$



ACTIDYN SYSTEMES engineers share a unique experience of having built 3 Vacuum and Temperature Chambers in operation on three axis simulators.

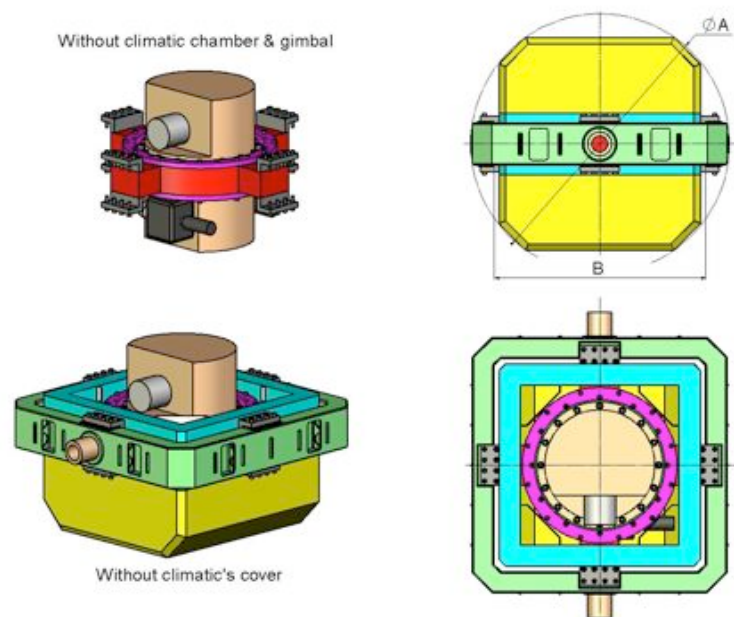
The purpose of this unique equipment is to provide simultaneously inertial grade motion simulation in association with thermal and spatial vacuum combined, for unlimited continuous period of time.



CVC SERIE

SPECIFICATION

	600	700	800	Units
Characteristic				
Weight	150	175	250	Kg
Payload mass	30	35	40	Kg
Dimensions (2 payloads)				
Height	140	190	240	Mm
Width	120	180	280	Mm
Depth	120	180	260	mm
Dimensions A	780	880	980	Mm
Dimensions B (gimbal)	600X600	700X700	800X800	Mm
Climatic				
Temperature range	-40° to +90	-40° to +90	-40° to +90	°C
Gradient	2	2	2	°C/mn
Accuracy	± 1	± 1	± 1	°C
Vacuum				
Accuracy	1.10 ^{e-6}	1.10 ^{e-6}	1.10 ^{e-6}	Torr



ACTIDYN SYSTEMES ALSO MANUFACTURES THESE EQUIPMENTS TO BETTER SERVE YOU

